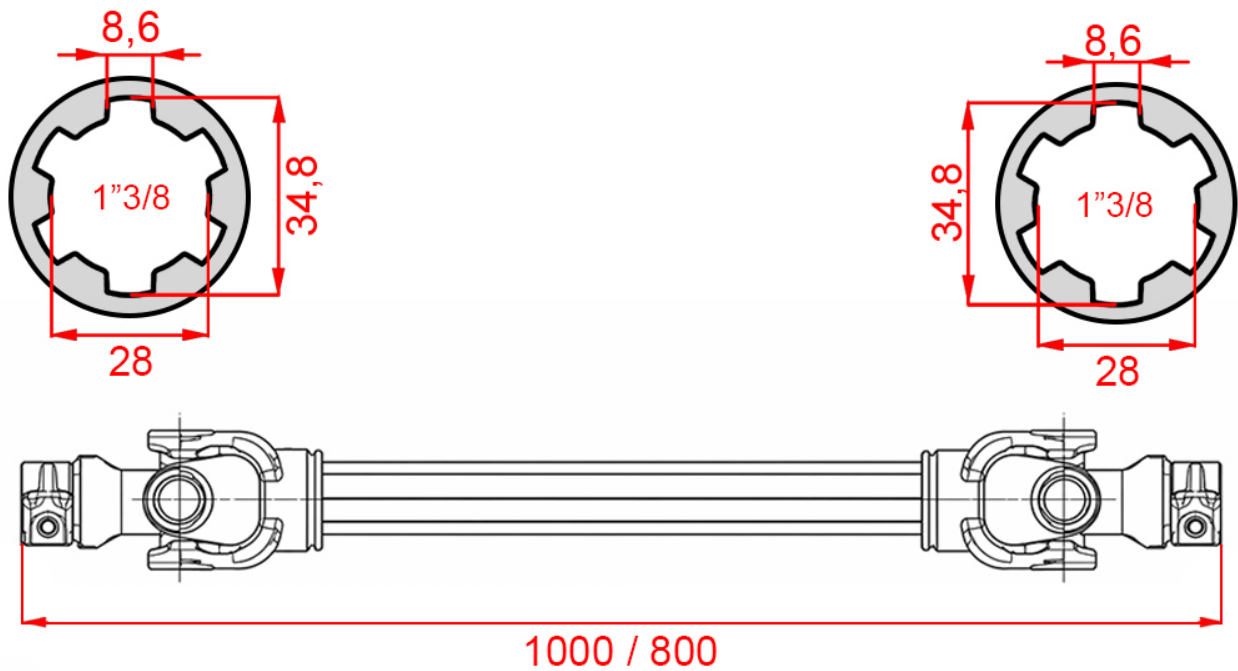


DATA SHEET – DIMENSIONS

CE APPROVED PTO SHAFT

PROFI LINE



ITEM	CAT	MIN. LENGHT (mm)	POWER AT 540 rpm (hp)	POWER AT 1000 rpm (hp)	TORQUE AT 540 rpm (Nm)	TORQUE AT 1000 rpm (Nm)	CROSS (mm)
13703	2	1000	24	38	317	264	23,8 x 61x2
13704		800					
13705	4	1000	42	65	547	455	27 x 74,6
13706		800					
13707	6	1000	69	106	900	748	30,2 x 92
13708		800					
13708	8	1000	96	148	1250	1039	35 x 106,5